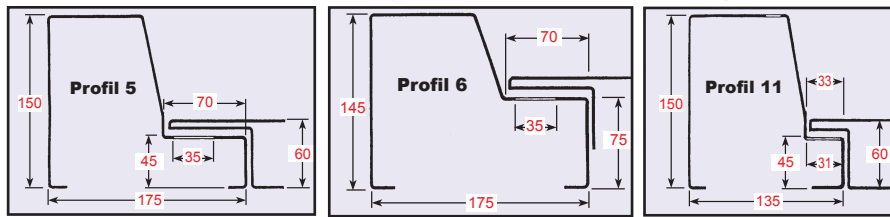
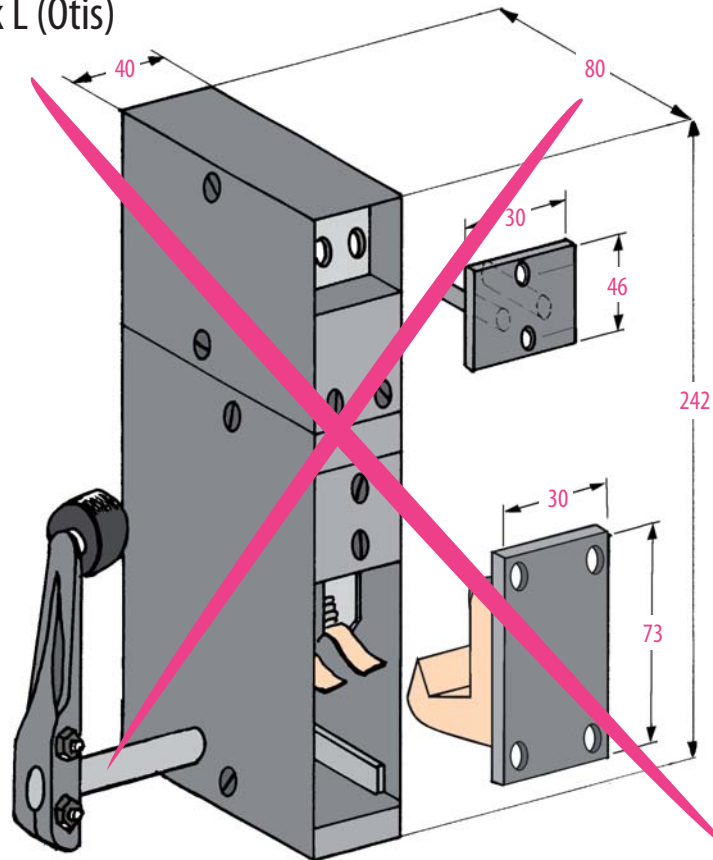
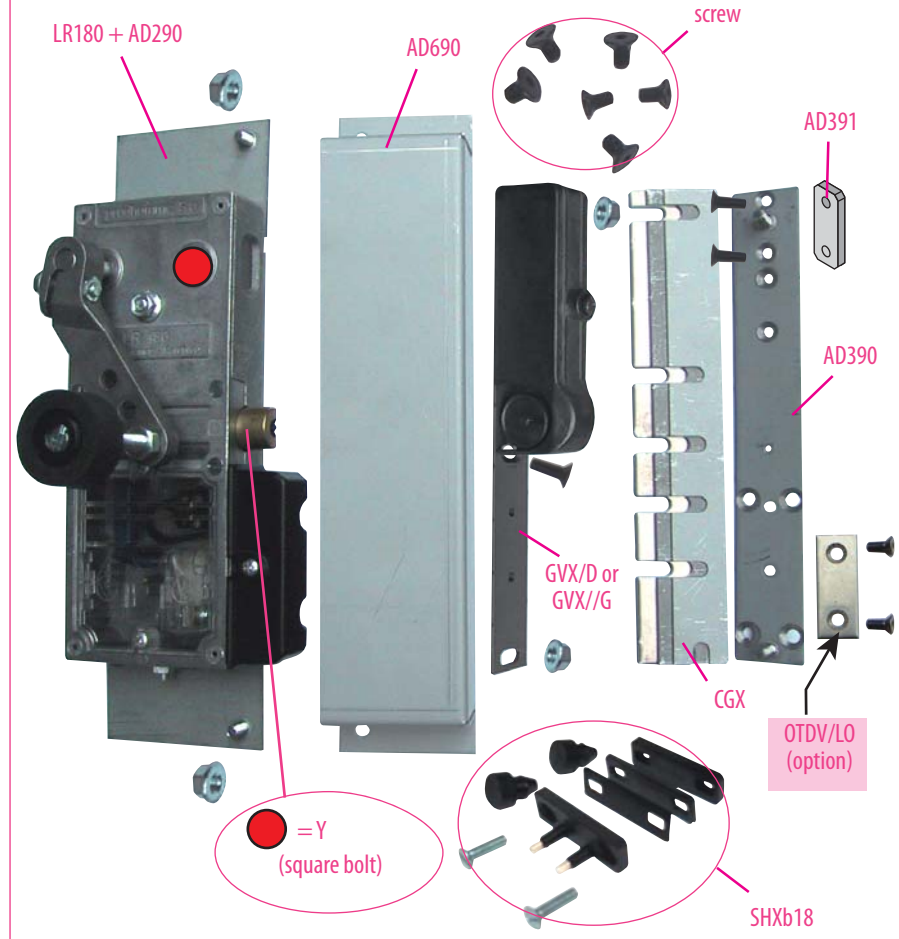


To replace :
Lock L (Otis)



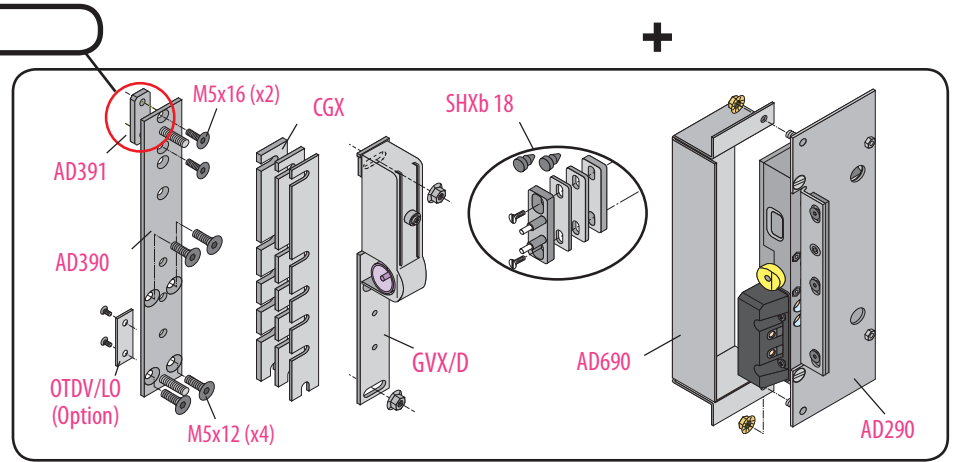
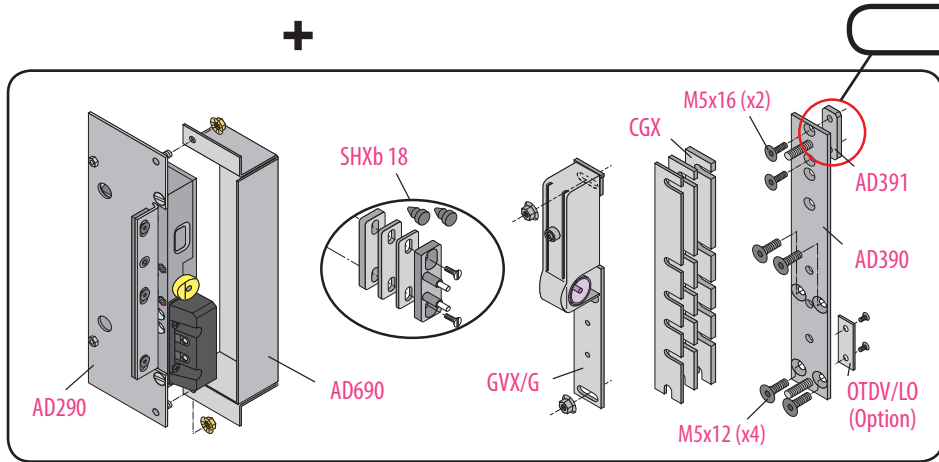
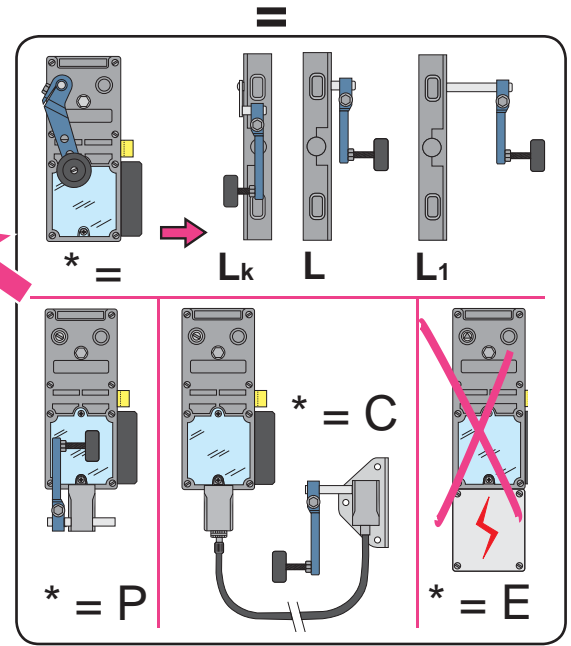
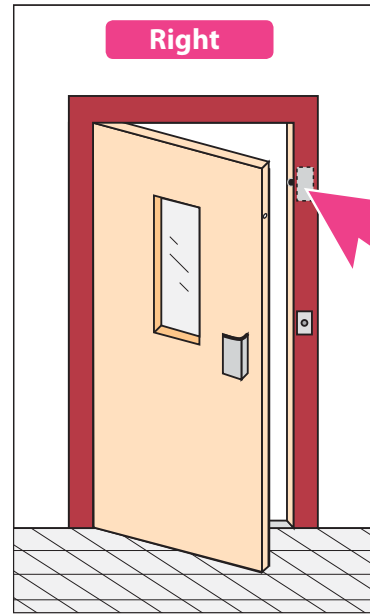
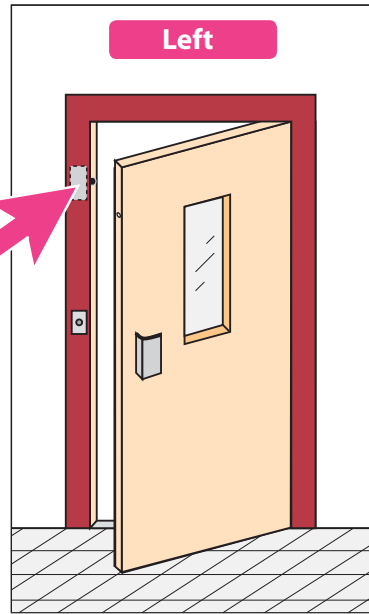
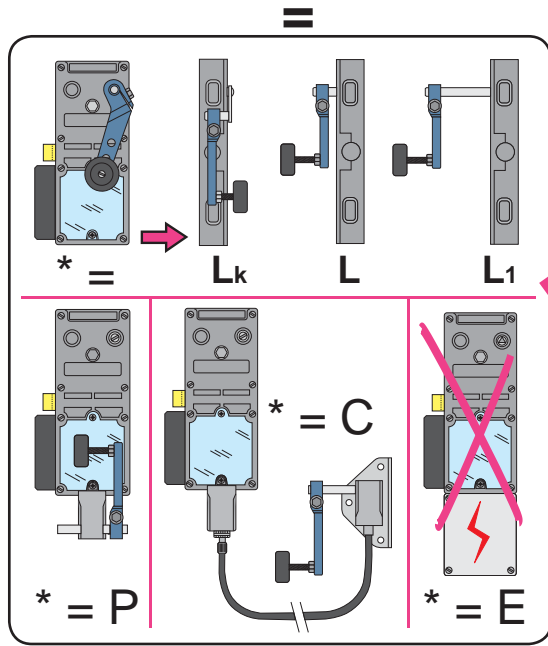
Substitution :
LR 180 ** LO prudhomme S.a
with Shunt.

Option :
CP/LO (Drilling gauge)



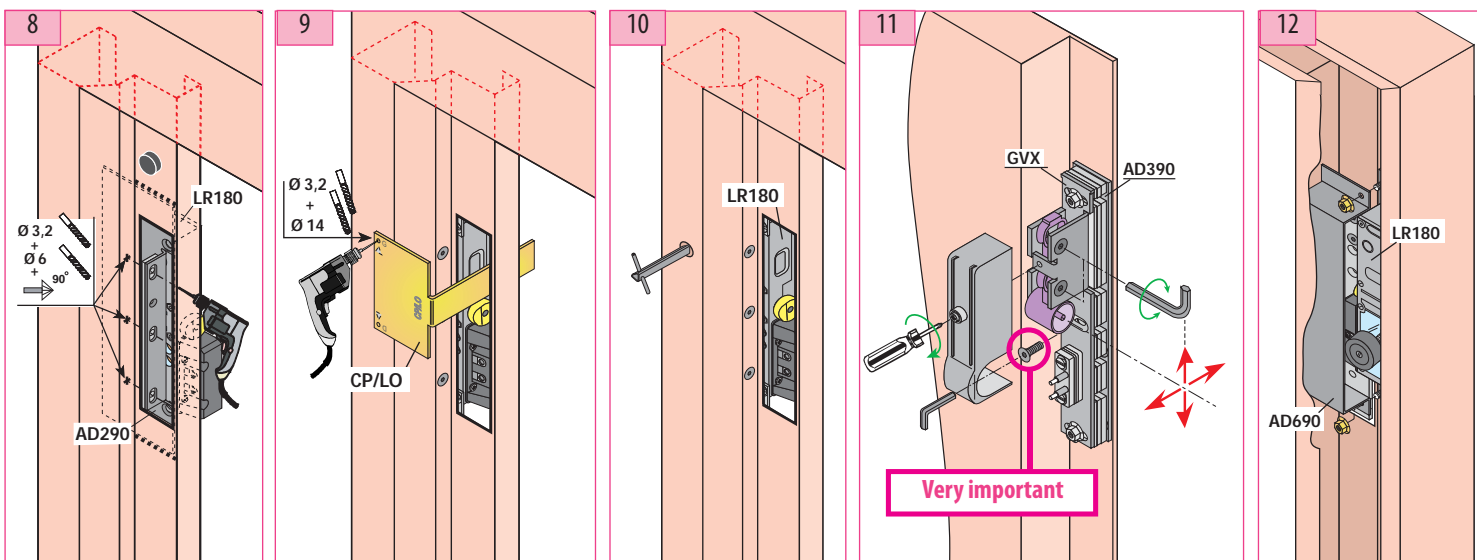
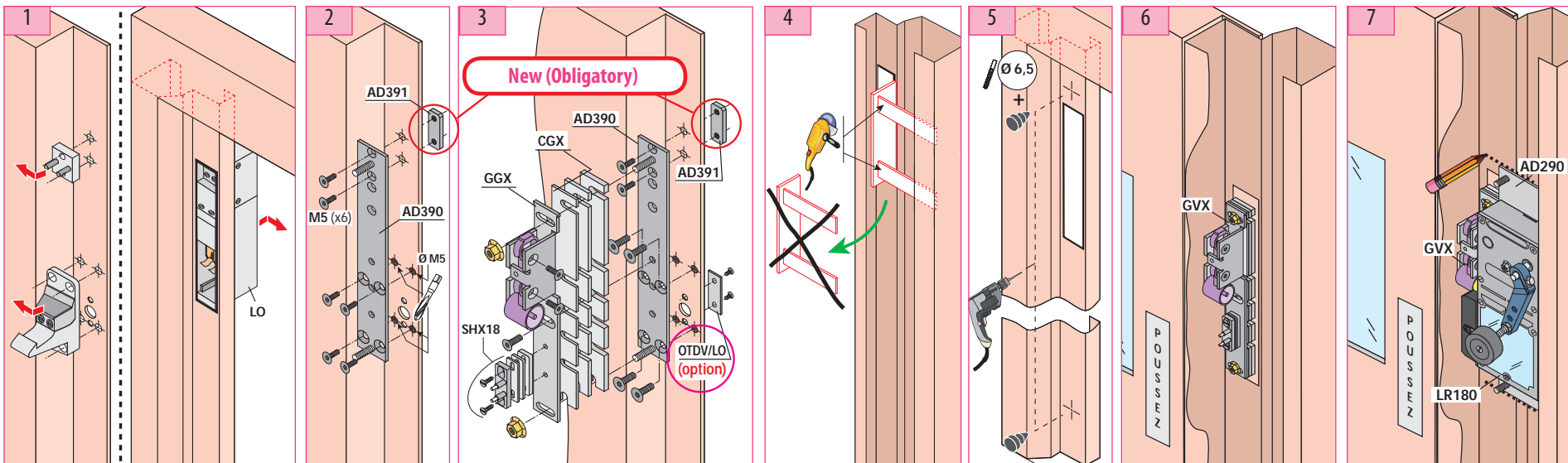
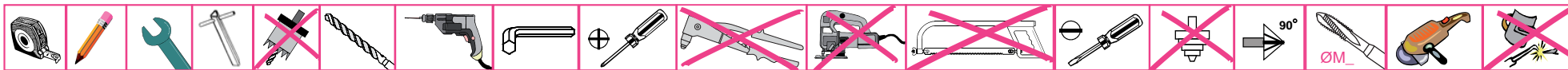
ref.: LR180 *G LO

ref.: LR180 *D LO



New

Mounting stages



Pin adjustment

